

# PagePro 4100E/GN/W

## *Parts Manual*

July 2000  
1750045-001A

## PREFACE

1. The part numbers listed in this Parts Manual are those which were assigned to the parts making up the printer at the time the printer was originally introduced onto the market.
2. Parts whose numbers are preceded by an asterisk in the Index Column on the List Page are parts to be used in only certain market areas. Therefore, please check the number in the Area column on the List Page and then compare it with the numbers given in the Area Chart on page II to find out which part number is applicable to your own Area.  
NOTE: Parts for only certain Market Areas: The part numbers for these parts vary according to market area. In other cases, these parts are used in only restricted areas.
3. The Index Number on the List Page is composed of two numbers and two letters. Generally, only A is used as the first of the two letters. However, sometimes B, C, D, etc. are used when one part in the illustration, such as an electrical part or a part which varies according to market areas, has two or more part numbers. The second of the two letters represents the modification history of that part.
4. The Areas Number is listed in the Areas Column for only those parts used in certain market areas. This Area Number represents the areas listed opposite to it in the Chart given on Page II. Parts having no Area Number listed in the Area Column can be used in all market areas.
5. In the exploded views in this Parts Manual the parts (Screws & Washes, etc...) which are indicated with a four-digit number are listed in numerical order in the section "SCREWS AND WASHERS." Please check these four-digit numbers with the ten-digit part numbers, which should be used for ordering the part.
6. All part numbers consist of "ten-digits" which should all be quoted when ordering a part. The price of parts can be obtained by referring to the "Parts Price List" which is separately issued.
7. All information contained in this parts manual is subject to change.

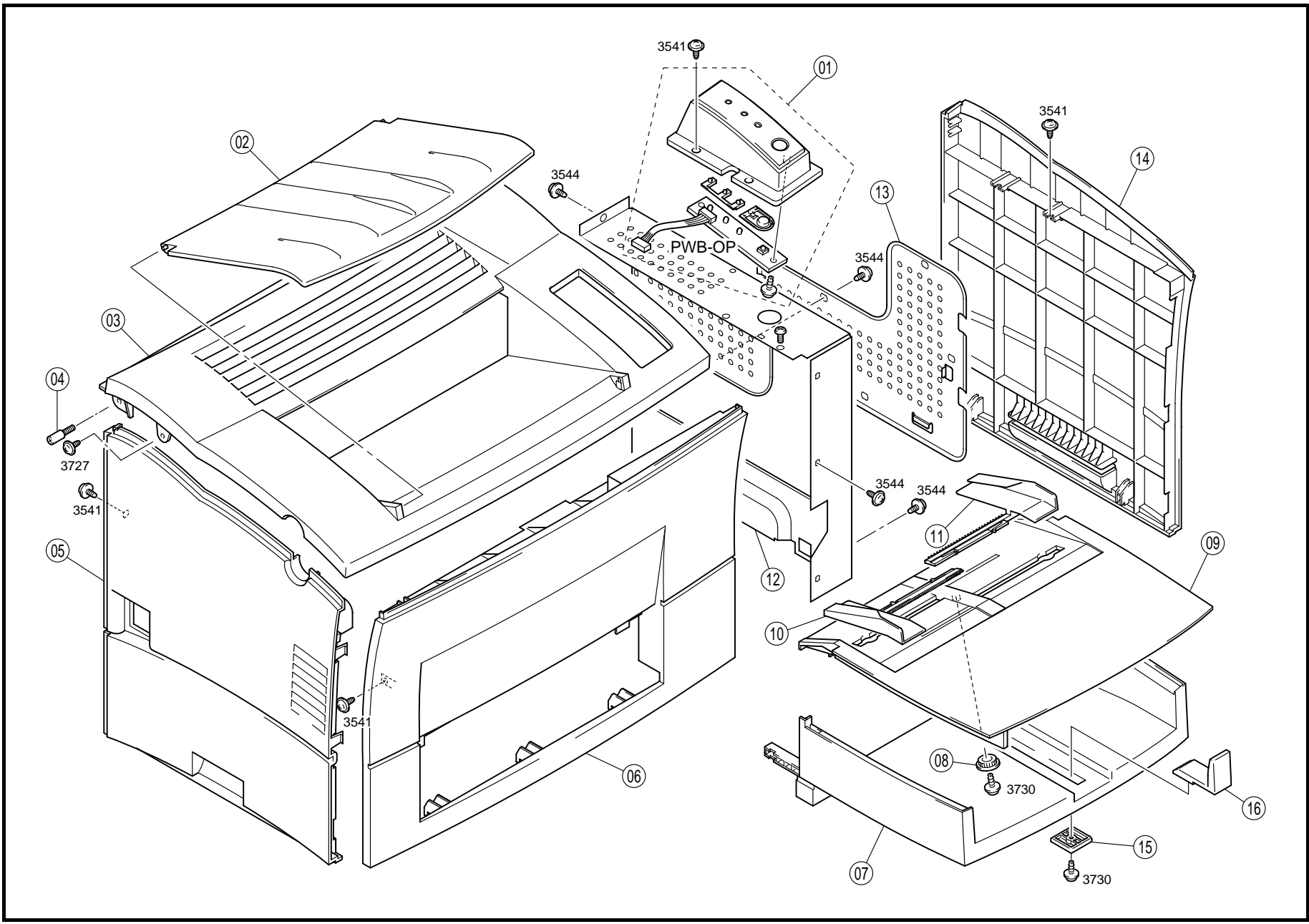
AREA CHART

AREA No.	AREA	(JAPAN)	AREA No.	AREA	(JAPAN)
2520	120V				
2612	220/240V				

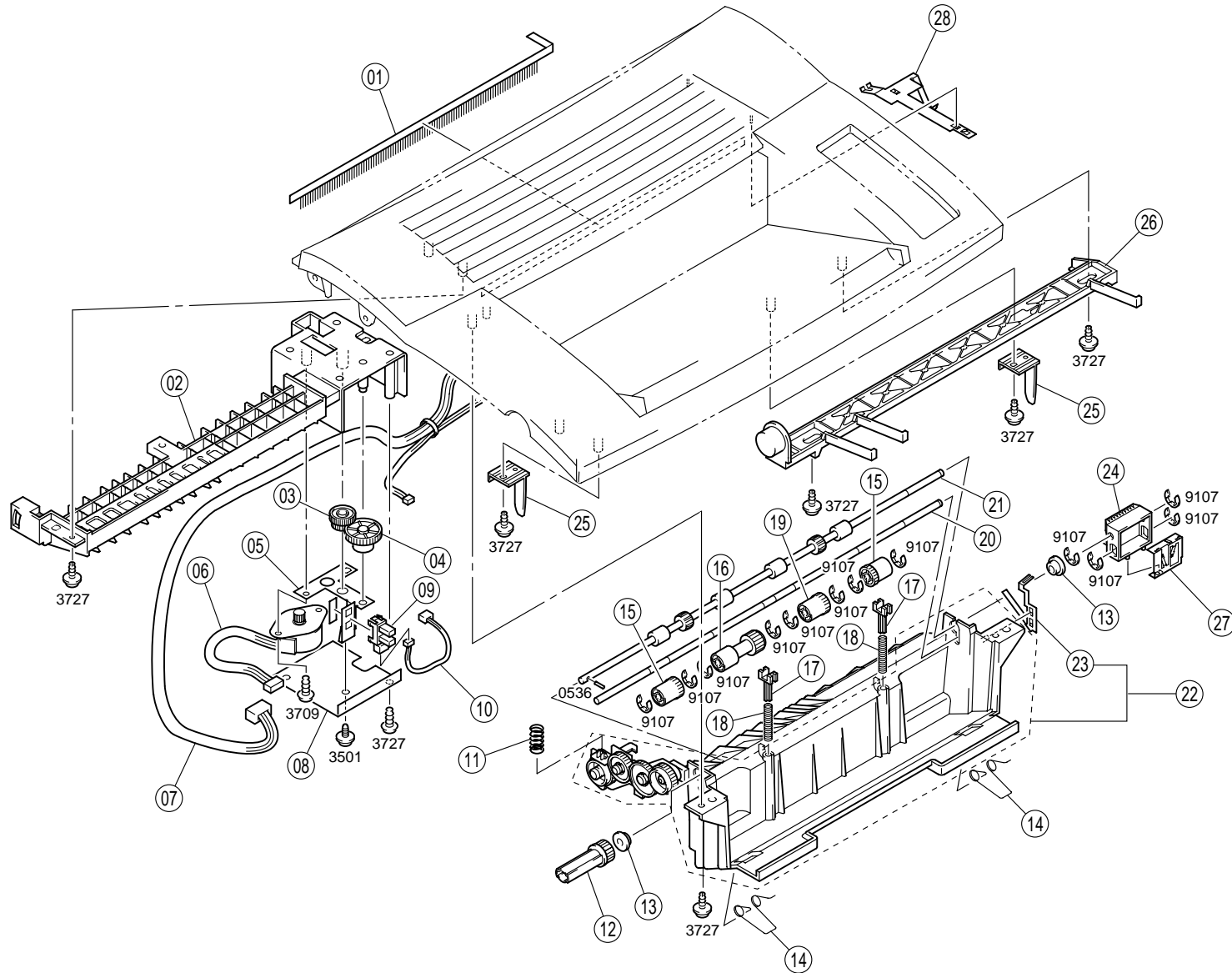
We recommend that you cross out from your Parts Manuals those parts numbers which do not apply your area so that no error is made when ordering parts.

CONTENTS

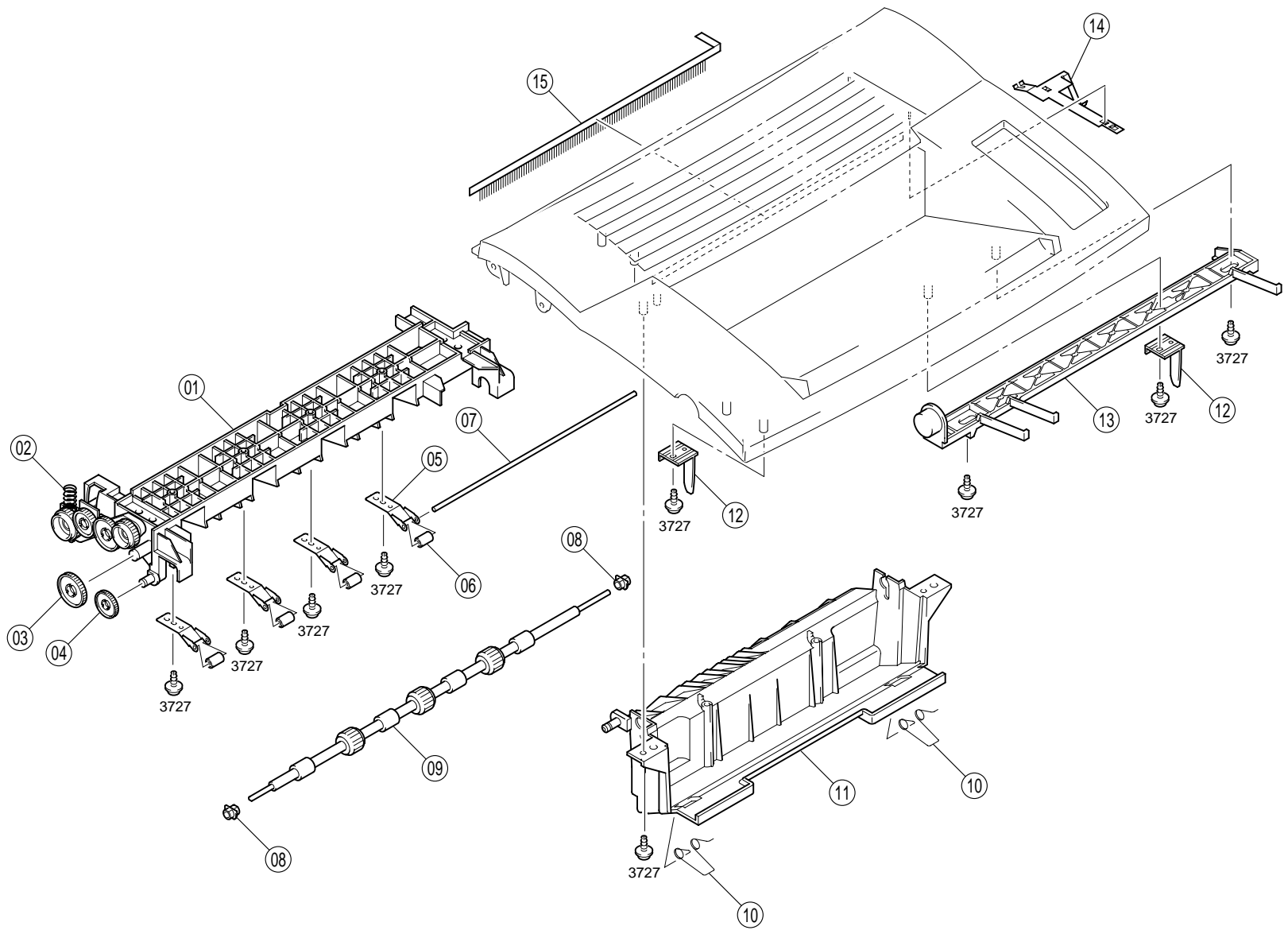
1.	HOUSING	1
2.	PAPER EXIT SECTION (A) (PP 4100GN)	3
3.	PAPER EXIT SECTION (B) (PP 41 00GN)	5
4.	FRAMES (A)	7
5.	PAPER TAKE-UP SECTION	9
6.	TRANSFER/FUSING SECTION	11
7.	FRAMES (B)	13
8.	DRIVE UNIT	15
9.	2ND/3RD PAPER TAKE-UP (OPTION)	17
10.	2ND/3RD PAPER CASSETTE (OPTION)	19
11.	DUPLEX UNIT (OPTION)	21
12.	SCREWS AND WASHERS	23
13.	NUMERICAL INDEX	24



INDEX	PART NO.	PART NAME	QTY	AREA	REMARKS	INDEX	PART NO.	PART NAME	QTY	AREA	REMARKS
01AA	4110-0766-01	CONTROL PANEL	1								
02AA	4110-1007-04	TRAY                    EXIT	1								
03AA	4110-0764-01	TOP COVER            PP4100GN	1								
03BA	4110-0765-01	TOP COVER            PP4100GN	1								
04AA	1100-1212-04	SHOULDER SCREW	1								
05AA	4110-1010-01	LEFT COVER	1								
06AA	4110-1020-01	FRONT COVER        PP4100E	1								
06BA	4110-1021-01	FRONT COVER        PP4100GN	1								
06CA	4110-1022-01	FRONT COVER        PP4100E	1								
06DA	4110-1023-01	FRONT COVER        PP4100GN	1								
07AA	4110-1008-03	PAPER TRAY        TAKE-UP	1								
08AA	0957-3104-01	GEAR 14T	1								
09AA	4109-1009-02	TABLE	1								
10AA	4109-3105-02	GUIDE	1								
11AA	4109-3106-02	GUIDE	1								
12AA	4110-2303-02	SHIELD COVER	1								
13AA	4110-2306-01	COVER	1								
14AA	4110-1011-02	RIGHT COVER	1								
15AA	4110-1019-01	SUPPORT PLATE	1								
16AA	4110-1018-01	REGULATING PLATE	1								

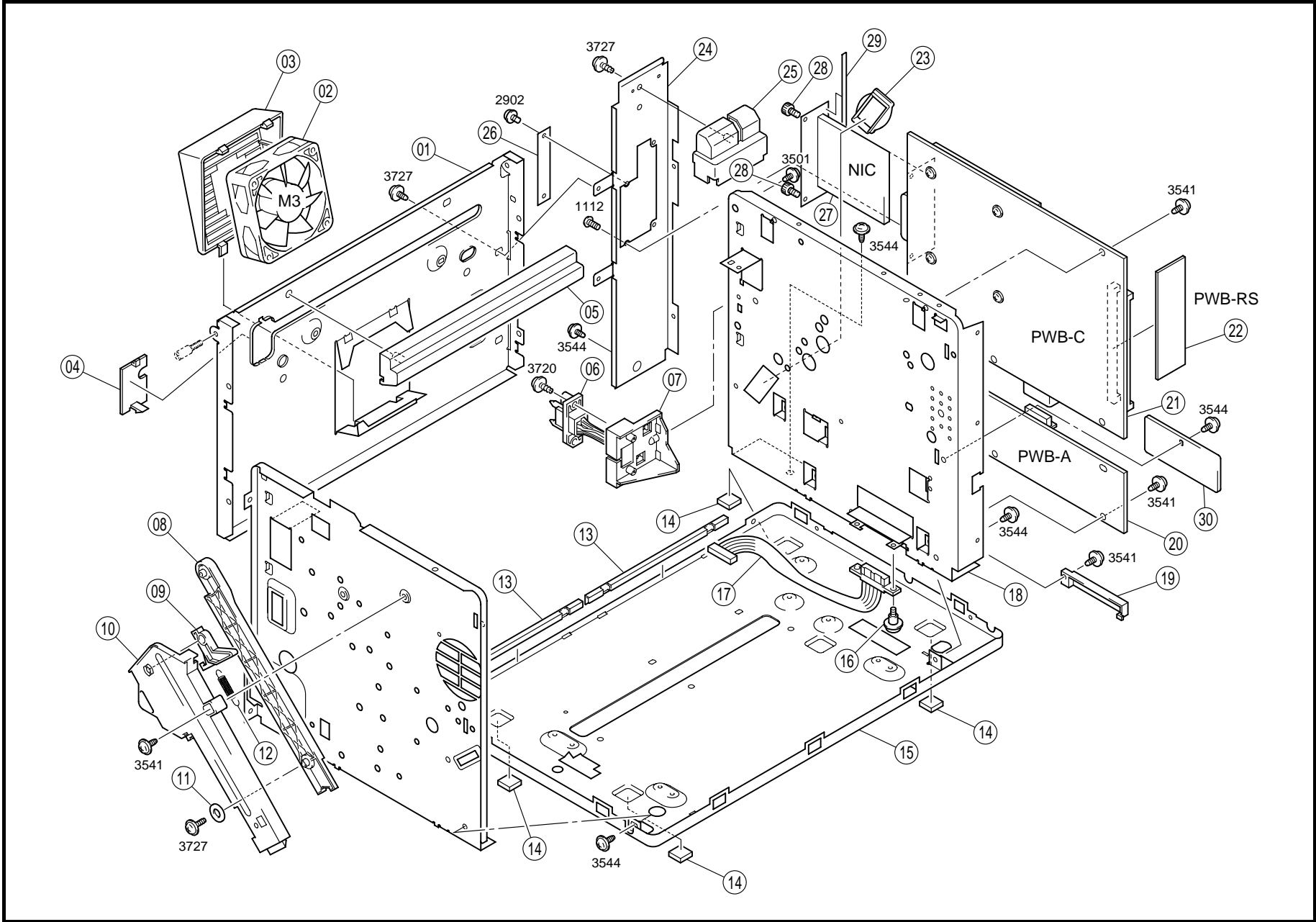


INDEX	PART NO.	PART NAME	QTY	AREA	REMARKS	INDEX	PART NO.	PART NAME	QTY	AREA	REMARKS
01AA	4110-3207-01	NEUTRALIZING BRUSH	1								
02AA	4110-3215-01	GUIDE PP4100GN	1								
03AA	4110-3233-01	GEAR 14/44T PP4100GN	1								
04AA	4110-3231-01	GEAR 29T PP4100GN	1								
05AA	4110-3239-01	MOUNTING PLATE PP4100GN	1								
06AA	9314-1711-11	PULSE-MOTOR PP4100GN	1								
07AA	4110-6811-02	HARNESS PP4100GN	1								
08AA	4110-3232-01	COVER PP4100GN	1								
09AA	9335-1410-31	PHOTO INTERRUPTER PP4100GN	1								
10AA	4110-6812-02	HARNESS PP4100GN	1								
11AA	4110-3209-01	PRESSURE SPRING	1								
12AA	4110-3221-02	GEAR 19T PP4100GN	1								
13AA	4110-3202-03	BUSHING PP4100GN	2								
14AA	4110-1015-02	TORSION SPRING	2								
15AA	4110-3240-01	ROLL PP4100GN	2								
16AA	4110-3241-01	ROLL PP4100GN	1								
17AA	4110-3236-02	SHAFT SUPPORTER PP4100GN	2								
18AA	4110-3203-01	PRESSURE SPRING PP4100GN	2								
19AA	4110-3243-02	ROLL PP4100GN	1								
20AA	4110-3205-02	SHAFT PP4100GN	1								
21AA	4110-3703-02	ROLLER PP4100GN	1								
22AA	4110-0901-01	COVER KIT PP4100GN	1								
23AA	4110-3217-02	GROUND PALTE PP4100GN	1								
24AA	4110-3230-03	RACK GEAR PP4100GN	1								
25AA	4110-1012-01	OPENER	2								
26AA	4110-1004-03	LOCK LEVER	1								
27AA	4110-3218-01	GROUND PLATE PP4100GN	1								
28AA	4110-3206-02	GROUND PLATE PP4100GN	1								

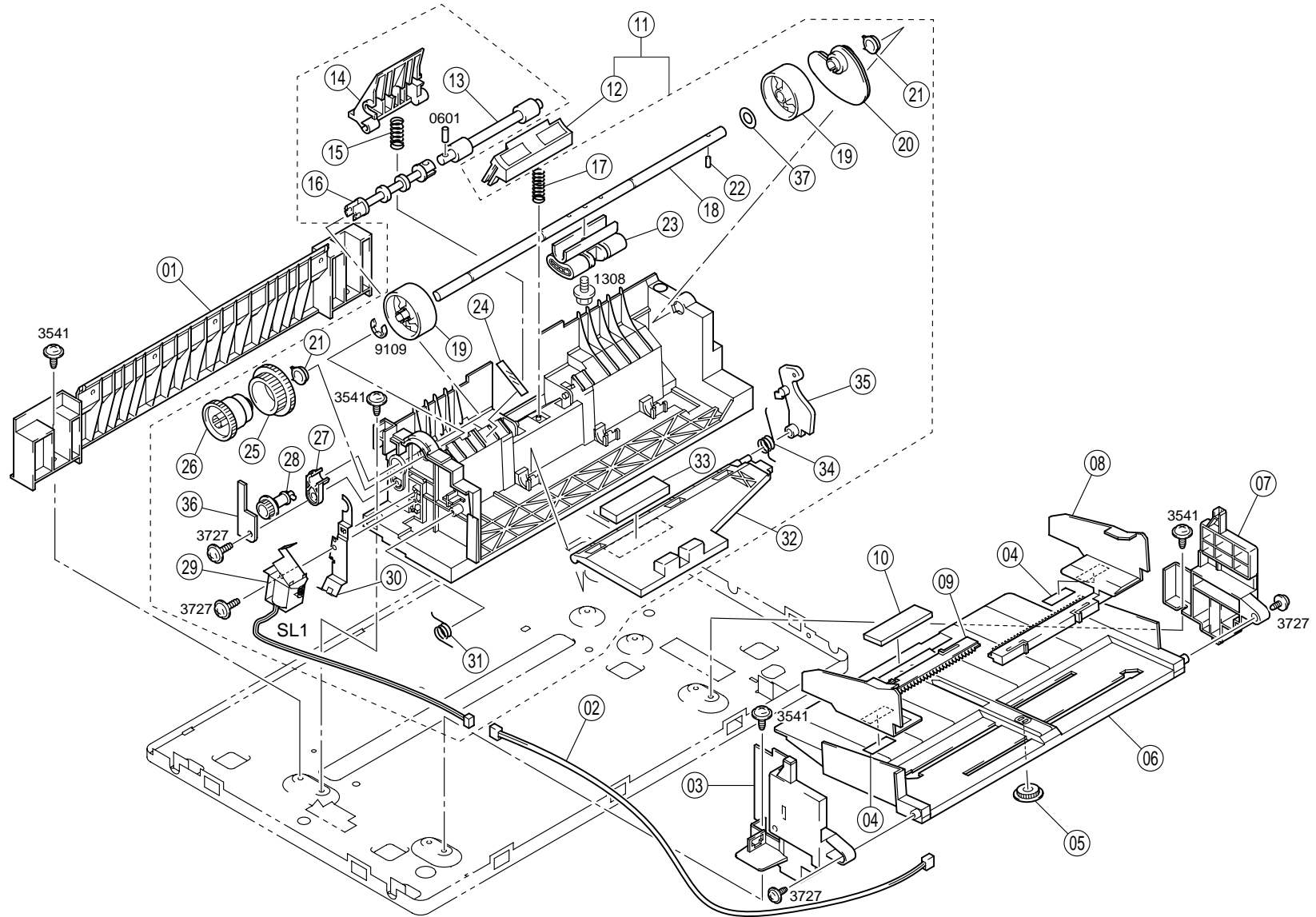




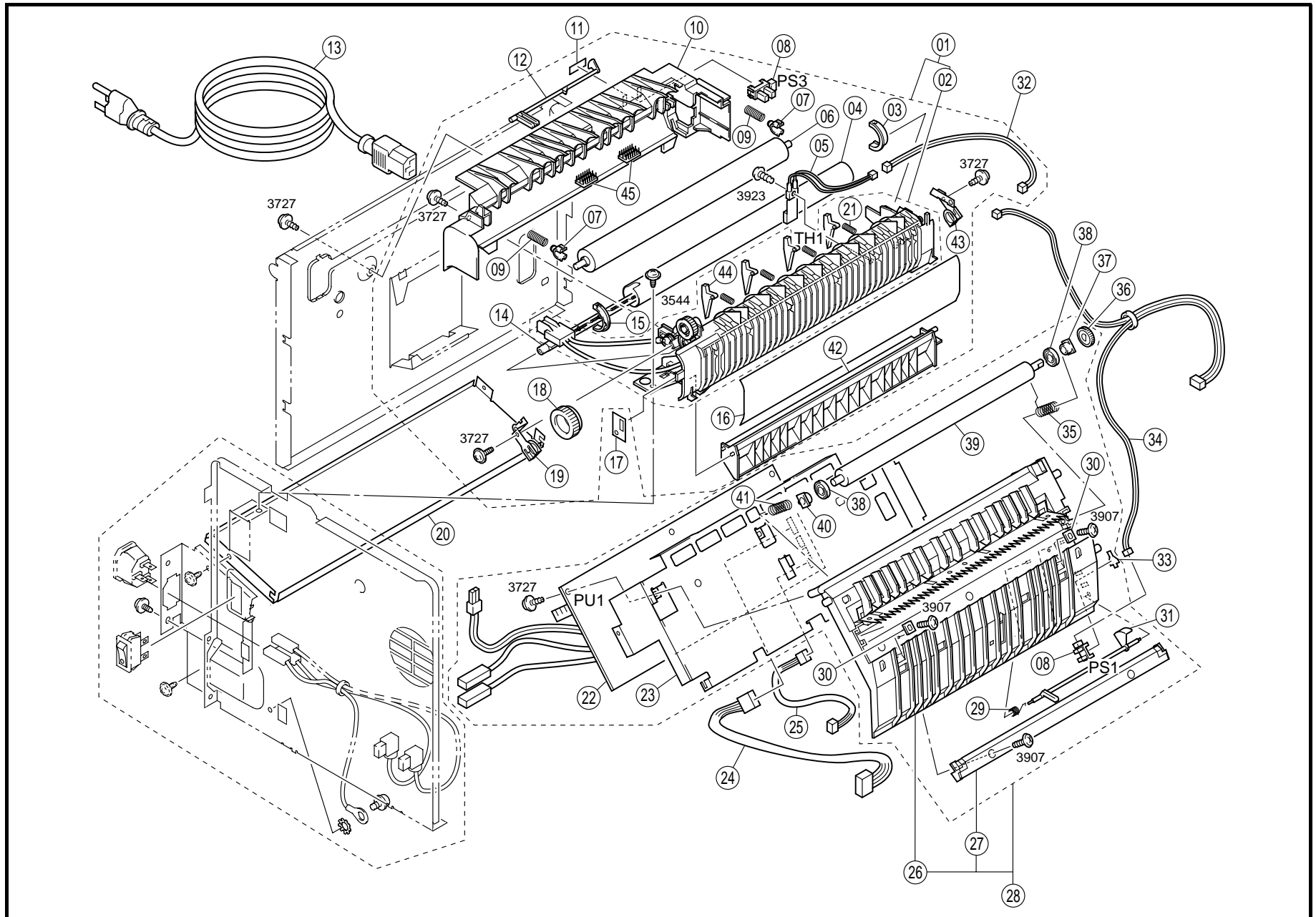
INDEX	PART NO.	PART NAME	QTY	AREA	REMARKS	INDEX	PART NO.	PART NAME	QTY	AREA	REMARKS
01AA	4110-0762-01	GUIDE ASSY PP4100E	1								
02AA	4110-3209-01	PRESSURE SPRING	1								
03AA	4110-3254-01	GEAR 22T PP4100E	1								
04AA	4110-3251-01	GEAR 19T PP4100E	1								
05AA	0993-3221-01	HOLDER PP4100E	4								
06AA	0993-3220-01	ROLL PP4100E	4								
07AA	0993-3222-01	SHAFT PP4100E	1								
08AA	0993-3204-01	BUSHING PP4100E	2								
09AA	4110-3753-02	ROLLER PP4100E	1								
10AA	4110-1015-02	TORSION SPRING	2								
11AA	4110-1052-03	COVER PP4100E	1								
12AA	4110-1012-01	OPENER	2								
13AA	4110-1004-03	LOCK LEVER	1								
14AA	4110-3256-02	GROUND PLATE PP4100E	1								
15AA	4110-3207-01	NEUTRALIZING BRUSH	1								



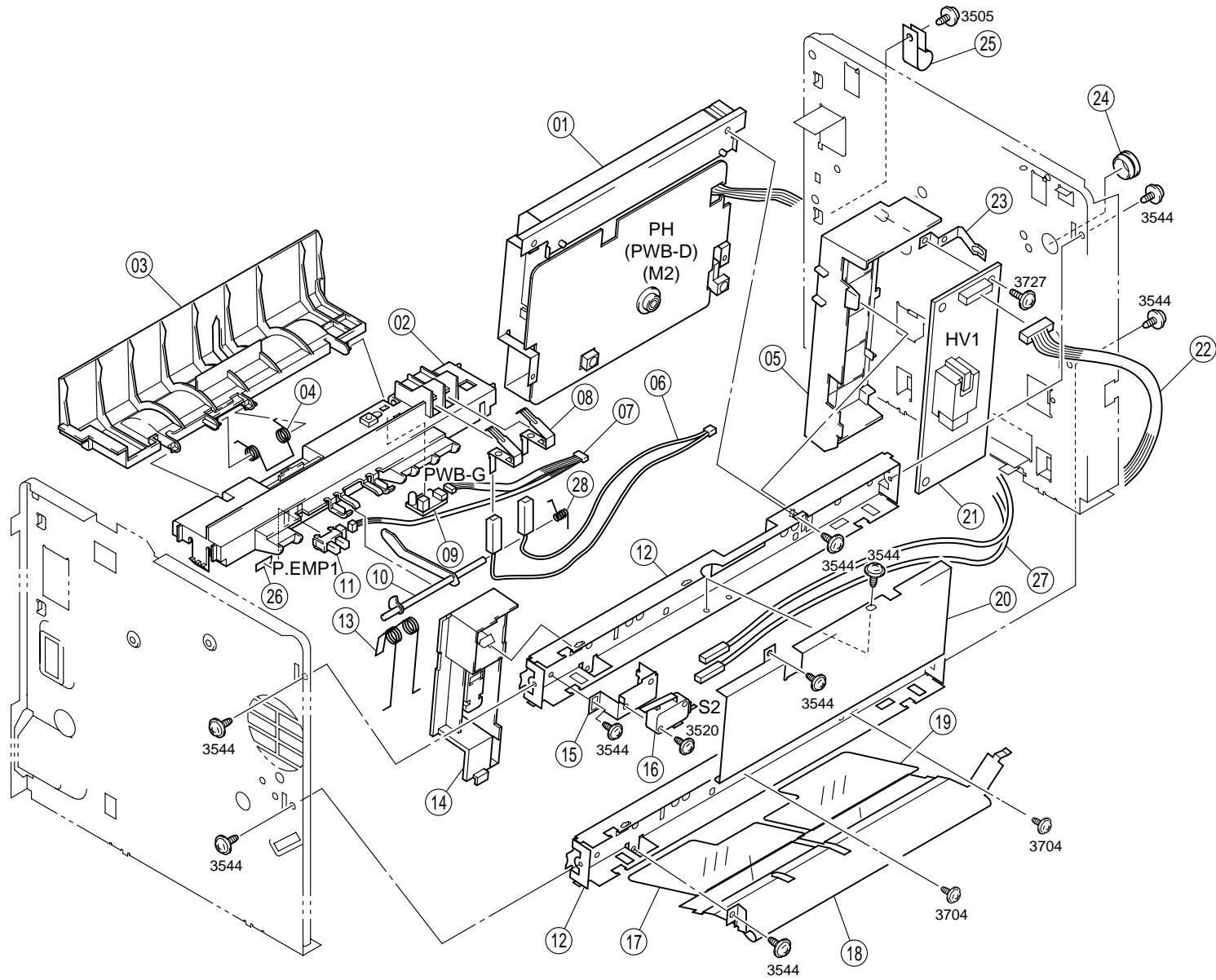
INDEX	PART NO.	PART NAME	QTY	AREA	REMARKS	INDEX	PART NO.	PART NAME	QTY	AREA	REMARKS
01AA	4110-2055-03	REAR FRAME	1								
02AA	9313-1710-92	MOTOR (M3)	1								
03AA	4110-1014-02	DUCT	1								
04AA	4110-2023-01	COVER	1								
05AA	4110-3212-01	GUIDE	1								
06AA	4110-6810-02	HARNESS	1								
07AA	4110-2304-01	HOLDER	1								
08AA	0993-2014-01	STOPPER	1								
09AA	0993-2012-01	LEVER	1								
10AA	0993-2016-01	HOLDER	1								
11AA	1200-1521-02	WASHER	1								
12AA	0993-2013-01	TENSION SPRING	1								
13AA	4110-2018-02	EDGE COVER	2								
14AA	0956-2015-01	RUBBER FOOT	4								
15AA	4110-2003-02	BASE PLATE	1								
16AA	0978-2067-01	SHOULDER SCREW	2								
17AA	4110-6809-02	HARNESS	1								
18AA	4110-2004-03	RIGHT FRAME	1								
19AA	4110-2021-01	COVER	1								
20AA	4110-0101-03	PWB-A PP4100GN	1								
20BA	4110-0110-01	PWB-A PP4100E	1								
21AA	4110-0105-02	PWB-C (PWB-C)	1								
22AA	4110-0107-01	PWB-RS (PWB-RS)	1								
23AA	1038-4006-01	EDGE COVER	1								
24AA	4110-2307-02	BRACKET	1								
25AA	4110-1005-01	COVER PP4100GN	1								
26AA	4110-2310-01	COVER PP4100E	1								
27AA	4110-6051-02	NET WORK CARD PP4100GN	1								
28AA	4110-2311-01	SCREW PP4100GN	1								
29AA	4110-6751-01	GASKET PP4100GN	1								
30AA	4110-2028-01	SHIELD PLATE	1								



INDEX	PART NO.	PART NAME	QTY	AREA	REMARKS	INDEX	PART NO.	PART NAME	QTY	AREA	REMARKS
01AA	4110-4114-01	GUIDE TAKE-UP	1								
02AA	4110-6804-03	HARNES	1								
03AA	4110-2020-02	LIFTING HOLDER-LFT LEFT	1								
04AA	4109-3104-01	SHEET	2								
05AA	0957-3104-01	GEAR 14T	1								
06AA	4110-3005-03	LIFTING PLATE	1								
07AA	4110-2019-02	LIFTING HOLDER-RT RIGHT	1								
08AA	4110-3102-03	GUIDE PLATE-RT RIGHT	1								
09AA	4110-3103-03	GUIDE PLATE-LFT LEFT	1								
10AA	4109-3013-02	SHEET	1								
11AA	4110-0752-01	PAPER PICK UNIT	1								
12AA	4110-0751-01	SEPARATED PAD	1								
13AA	4110-3002-01	ROLLER TAKE-UP	1								
13BA	4109-3002-01	ROLLER TAKE-UP	1								
14AA	4110-3502-02	HOLDER	1								
15AA	4110-3018-01	PRESSURE SPRING	1								
16AA	4109-3033-01	JOINT	1								
17AA	4109-3041-03	PRESSURE SPRING	1								
18AA	4109-3029-02	SHAFT	1								
19AA	4110-3006-01	ROLL	2								
19BA	4110-3055-01	ROLL	2								
19CA	4110-3056-01	ROLL	2								
20AA	4110-3007-02	CAM	1								
21AA	0972-3009-01	BUSHING	2								
22AA	0957-3040-01	PIN	1								
23AA	4109-3001-02	ROLLER TAKE-UP	1								
24AA	4110-3503-01	POLYESTER FILM	3								
25AA	4109-3034-13	GEAR 36/54T	1								
26AA	4110-3010-02	GEAR 36T	1								
27AA	4109-3015-01	BUSHING	1								
28AA	4109-3014-12	GEAR 18T	1								
29AA	4109-6201-02	SOLENOID	1								
30AA	4110-3050-02	GROUND PLATE	1								
31AA	4110-3019-01	TORSION SPRING	1								
32AA	4110-3043-01	LEVER	1								
33AA	4110-3051-01	CUSHION	1								
34AA	4110-3016-02	TORSION SPRING	1								
35AA	4110-3042-01	ARM	1								
36AA	4110-3025-01	SPACER	1								
37AA	4109-3505-01	WASHER	1								

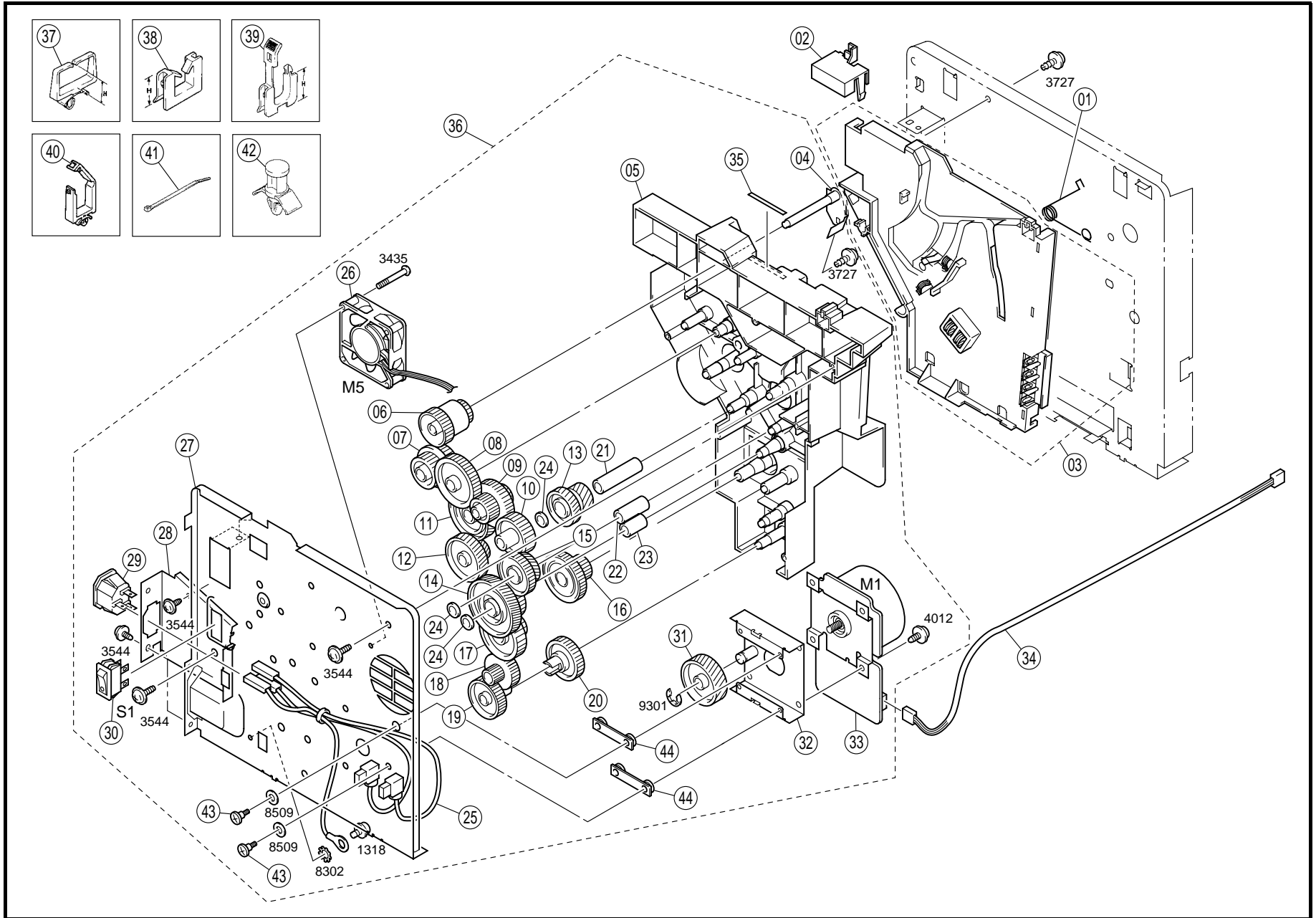


INDEX	PART NO.	PART NAME	QTY	AREA	REMARKS	INDEX	PART NO.	PART NAME	QTY	AREA	REMARKS
*01AA	4110-0760-01	FUSING UNIT	1	2520		38AA	4110-4105-01	ROLL	2		
*01BA	4110-0761-01	FUSING UNIT	1	2612		39AA	4110-4103-01	TRANSFER ROLLER	1		
02AA	4110-0759-01	HOUSING ASSY	1			40AA	4110-4104-01	BUSHING-LFT	1		
03AA	4109-5522-01	BUSHING	1			41AA	4110-4108-01	PRESSURE SPRING LEFT	1		
04AA	4110-5501-02	FUSING ROLLER	1			42AA	4110-5503-03	FUSING GUIDE-FNT	1		
05AA	4109-6701-01	THERMISTOR (TH1)	1			43AA	4109-5525-01	HOLDER-RT	1		
06AA	4110-5502-01	ROLLER FUSING	1			44AA	4109-5533-01	SEPARATOR	4		
07AA	4110-5511-01	BUSHING	2			45AA	4109-5531-01	CLEANING BRUSH	2		
08AA	9335-1410-31	PHOTO INTERRUPTER (PS1/PS3)	2								
09AA	4110-5517-02	PRESSURE SPRING	2								
10AA	4110-5505-02	FUSING GUIDE-RR	1								
11AA	4109-5530-01	STOPPER	1								
12AA	4109-5518-01	ACTUATOR (PS3)	1								
*13AA	9381-4310-31	POWER CORD	1	2520							
*13BA	9381-4310-71	POWER CORD	1	2612							
*14AA	9352-2810-11	TUBE LAMP (H1)	1	2520							
*14BA	9352-2810-21	TUBE LAMP (H1)	1	2612							
15AA	4109-5521-01	BUSHING	1								
16AA	4109-5550-01	SHEET	1								
17AA	4110-2536-02	POSITIONING PLATE	1								
18AA	4109-5512-01	GEAR 36T	1								
19AA	4109-5524-02	HOLDER-LFT LEFT	1								
20AA	4110-2008-01	REAR PLATE	1								
21AA	4109-5516-01	PRESSURE SPRING	4								
*22AA	9325-2710-73	PWB-PU (PU1)	1	2520							
*22BA	9325-2710-93	PWB-PU (PU1)	1	2612							
23AA	4110-2302-03	BRACKET	1								
24AA	4110-6801-02	HARNESS	1								
25AA	4110-6814-02	HARNESS	1								
26AA	4110-0756-01	GUIDE ASSY	1								
27AA	4110-0755-01	GUIDE	1								
*28AA	4110-0757-01	TRANSFER UNIT	1	2520							
*28BA	4110-0758-01	TRANSFER UNIT	1	2612							
29AA	4110-4106-01	TORSION SPRING	1								
30AA	4110-4124-02	SPACER	2								
31AA	4110-4117-01	ACTUATOR (PS1)	1								
32AA	4110-6807-01	HARNESS	1								
33AA	1136-2131-03	STOPPER	1								
34AA	4110-6802-02	HARNESS	1								
35AA	4110-4107-02	PRESSURE SPRING RIGHT	1								
36AA	4110-4111-01	GEAR 16T	1								
37AA	4110-4118-01	BUSHING-RT	1								

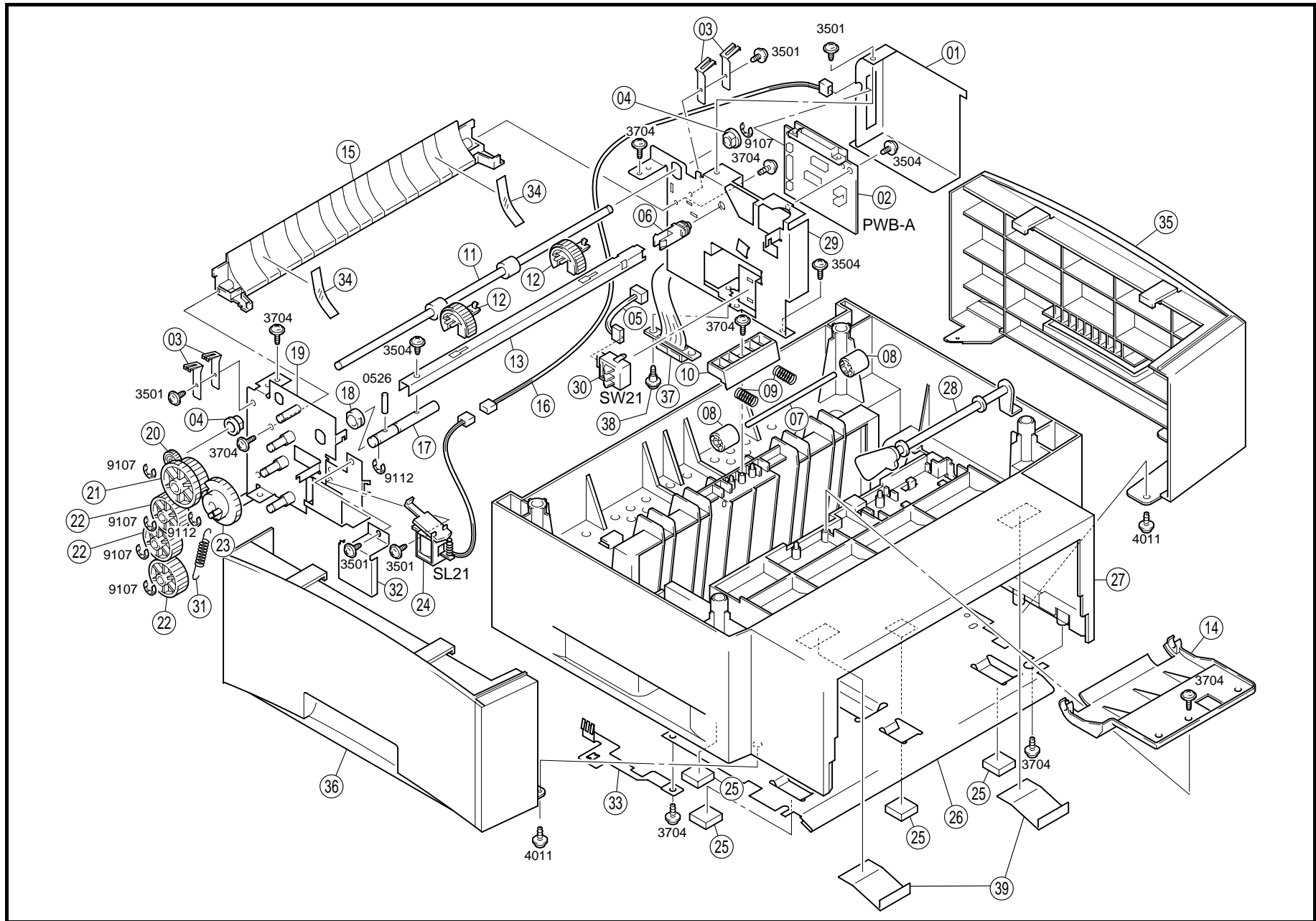




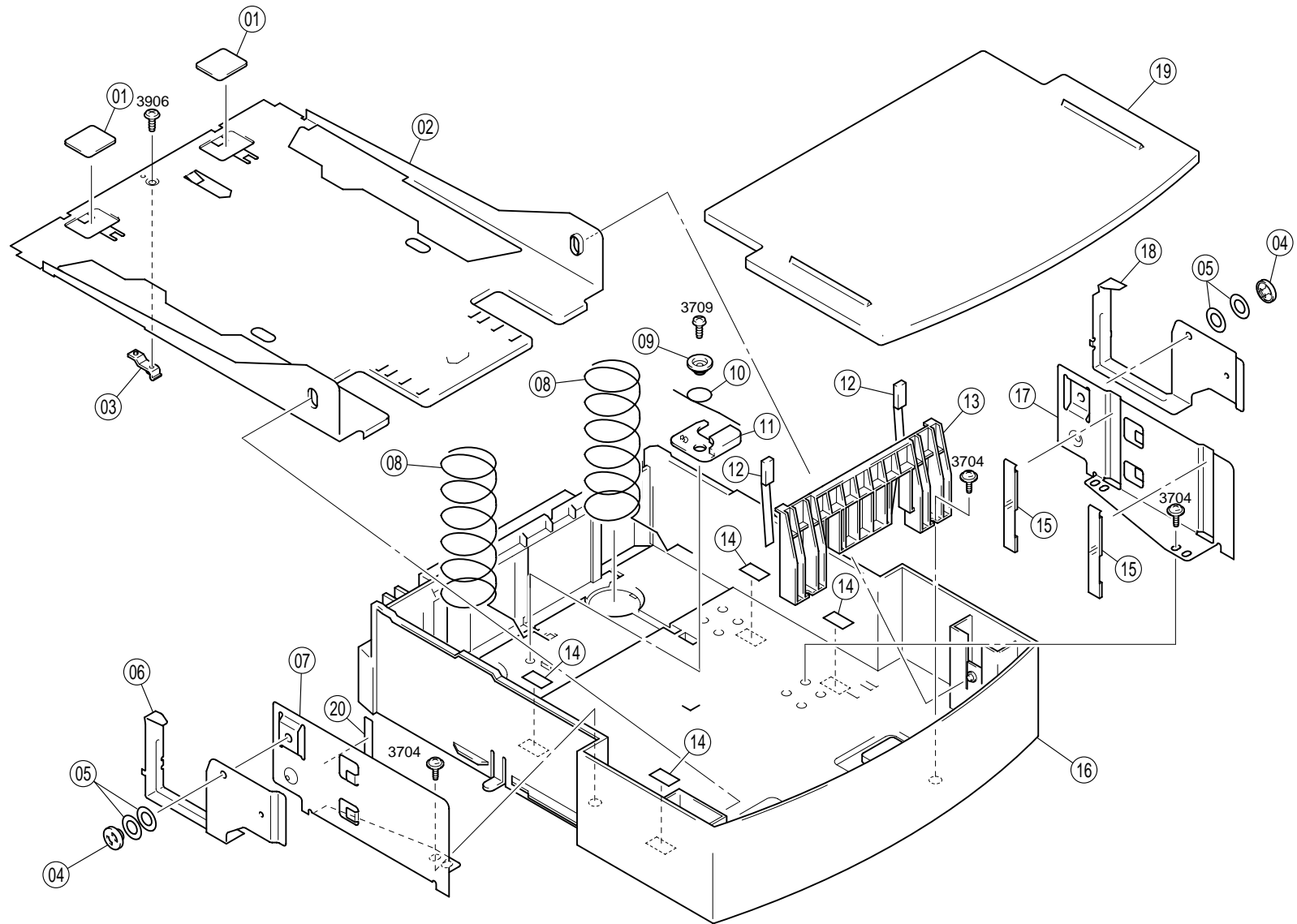
INDEX	PART NO.	PART NAME	QTY	AREA	REMARKS	INDEX	PART NO.	PART NAME	QTY	AREA	REMARKS
01AA	4110-0531-02	PRINT HEAD UNIT	(PH1) 1								
02AA	4110-2013-04	COVER-I/C	1								
03AA	4110-3020-01	GUIDE-UPPER	1								
04AA	4110-3022-01	TORSION SPRING	1								
05AA	4110-2301-03	COVER-HV	1								
06AA	4110-6813-01	HARNESS	1								
07AA	4110-6803-02	HARNESS	1								
08AA	4110-2024-02	CONTACT PLATE	2								
09AA	4110-0108-01	PWB-G	(PWB-G) 1								
10AA	4110-3021-01	ACTUATOR	1								
11AA	9335-1410-31	PHOTO INTERRUPTER	(P-EMP1) 1								
12AA	4110-2001-02	BRACKET	1								
13AA	4110-2026-03	TORSION SPRING	1								
14AA	4110-2025-03	COVER	1								
15AA	4110-2305-01	BRACKET	1								
16AA	9331-2710-11	MICRO SWITCH	(S2) 1								
17AA	4110-3323-01	POLYESTER FILM-LFT	1								
18AA	4110-3201-03	TABLE	1								
19AA	4110-3322-01	POLYESTER FILM-RT	1								
20AA	4110-2027-02	DUCT	1								
21AA	9325-1710-42	PWB-HV	(HV1) 1								
22AA	4110-6806-01	HARNESS	1								
23AA	4110-2308-02	GROUND PLATE	1								
24AA	0721-4203-12	COLLAR 17D	1								
25AA	9384-1320-81	P-CLIP 8.4D	1								
26AA	4109-5530-01	STOPPER	1								
27AA	4110-6821-03	HARNESS	1								
28AA	4110-3023-01	TORSION SPRING	1								



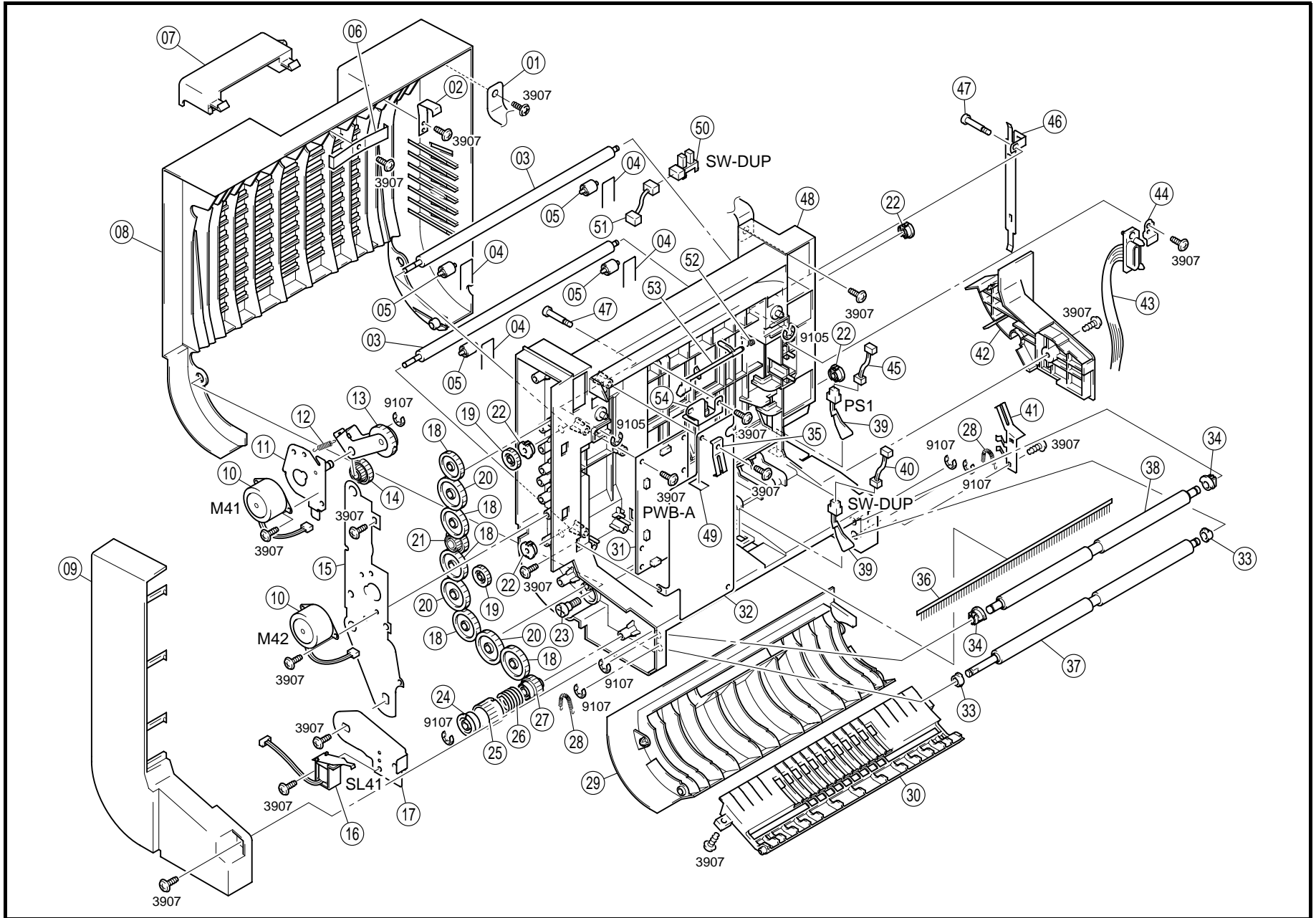
INDEX	PART NO.	PART NAME	QTY	AREA	REMARKS	INDEX	PART NO.	PART NAME	QTY	AREA	REMARKS
01AA	4110-2017-02	TORSION SPRING	1			41AA	9384-1821-41	CABLE TIE	2		
02AA	4110-2309-03	COVER	1			42AA	9384-1621-21	PWB SUPPORT 6.4H	1		
03AA	4110-0753-01	FRAME ASSY	1			43AA	4110-2522-01	SHOULDER SCREW	4		
04AA	4110-0202-02	REINFORCE PLATE	1			44AA	4110-2521-01	OSCILLATION REGULATER	2		
05AA	4110-2501-03	DRIVE COVER	1								
06AA	4110-2517-01	GEAR 23/35T	1								
07AA	4110-2516-01	GEAR 31T	1								
08AA	4110-2515-01	GEAR 51T	1								
09AA	4110-2519-01	GEAR 25/42T	1								
10AA	4110-2508-01	GEAR 37T	1								
11AA	4110-2505-01	GEAR 23/52T	1								
12AA	4110-2504-01	GEAR 19/63T	1								
13AA	4110-2507-01	GEAR 18/25T	1								
14AA	4110-2503-01	GEAR 35/84T	1								
15AA	4110-2506-01	GEAR 20/39T	1								
16AA	4110-2511-01	GEAR 23/49T	1								
17AA	4110-2510-01	GEAR 22/47T	1								
18AA	4110-2530-01	GEAR 19/33T	1								
19AA	4110-2531-01	GEAR 50T	1								
20AA	4110-2514-01	GEAR 30T	1								
21AA	4110-2523-01	COLLAR	1								
22AA	4110-2525-01	COLLAR	1								
23AA	4110-2524-01	COLLAR	1								
24AA	4110-2535-01	BUSHING	3								
25AA	4110-6819-01	HARNESS	1								
26AA	9313-1711-11	MOTOR	(M5) 1								
27AA	4110-2005-03	LEFT FRAME	1								
28AA	4110-2016-01	BRACKET	1								
29AA	9383-2710-21	SOCKET	1								
30AA	0990-6304-02	SWITCH	(S1) 1								
31AA	4110-2502-02	GEAR 67T	1								
32AA	4110-0201-03	MOUNTING PLATE	1								
33AA	9314-2711-01	MOTOR	(M1) 1								
34AA	4110-6805-02	HARNESS	1								
35AA	4110-7301-02	LABEL-A	2								
36AA	4110-0754-01	DRIVE UNIT	1								
37AA	9384-1310-81	WIRING SADDLE 6.4H	6								
38AA	9384-2010-21	EDGE COVER 8.5H	5								
38BA	9384-2800-36	EDGE COVER 15H	1								
39AA	9384-2010-31	EDGE COVER 15.4H	1								
40AA	9384-1311-01	WIRING SADDLE 27H	1								
40BA	9384-1310-91	WIRING SADDLE 18.5H	1								



INDEX	PART NO.	PART NAME	QTY	AREA	REMARKS	INDEX	PART NO.	PART NAME	QTY	AREA	REMARKS
01AA	4165-3843-02	COVER	1								
02AA	4166-0101-02	PWB-A	1		(PWB-A)						
03AA	4165-3840-02	PLATE	4								
04AA	0928-3033-01	BUSHING	2								
05AA	4165-6802-01	HARNESS	1								
06AA	4498-3334-01	SHAFT	1								
07AA	0933-3826-12	SHAFT	1								
08AA	0933-3840-02	ROLL	2								
09AA	0933-3839-02	PRESSURE SPRING	2								
10AA	4165-3833-01	BRACKET	1								
11AA	4165-3818-01	ROLLER	1								
12AA	4498-3332-01	ROLLER	2								
13AA	4165-3812-02	BRACKET	1								
14AA	4165-3820-02	GUIDE	1								
15AA	4165-3819-01	GUIDE	1								
16AA	4165-6801-01	HARNESS	1								
17AA	4165-3813-02	SHAFT	1								
18AA	1200-3131-07	BUSHING	1								
19AA	4165-0201-01	BRACKET	1								
20AA	4165-3831-01	GEAR 15T	1								
21AA	4165-3824-01	GEAR 26/32T	1								
22AA	1065-2553-01	GEAR 30T	3								
23AA	4165-3815-01	GEAR 34T	1								
24AA	0993-6204-02	SOLENOID	1		TAKE-UP (SL21)						
25AA	0956-2015-01	RUBBER FOOT	4								
26AA	4165-3802-02	PLATE	1								
27AA	4165-3801-16	BASE FRAME	1								
28AA	0933-3815-02	ACTUATOR	1								
29AA	4165-3805-02	BRACKET	1								
30AA	9332-3710-11	SWITCH	1		DETECT (SW21)						
31AA	4165-3816-01	TENSION SPRING	1								
32AA	4165-3844-01	COVER	1								
33AA	4165-3841-01	GROUND PLATE	1								
34AA	4165-3845-01	SHEET	2								
35AA	4166-3808-01	COVER-RT	1								
36AA	4166-3809-01	COVER-LFT	1								
37AA	4166-6801-01	HARNESS	1								
38AA	0978-2067-01	SHOULDER SCREW	2								
39AA	4165-3847-01	GUIDE	2								



INDEX	PART NO.	PART NAME	QTY	AREA	REMARKS	INDEX	PART NO.	PART NAME	QTY	AREA	REMARKS
01AA	4165-3920-01	FRICTION PLATE	2								
02AA	4165-3903-04	LIFTING PLATE	1								
03AA	4165-3923-01	LOCK LEVER	1								
04AA	4165-3915-01	PIN	2								
05AA	1200-1562-04	WASHER	4								
06AA	4165-3914-02	SEPARATOR	1								
07AA	4165-3906-01	GUIDE	1								
08AA	4165-3904-02	PRESSURE SPRING	2		LTR/A4/LGL						
08BA	4165-3919-02	PRESSURE SPRING	2		EXE/B5						
09AA	4165-3925-01	COLLAR	1								
10AA	4165-3926-01	TORSION SPRING	1								
11AA	4165-3924-01	CAM	1								
12AA	4165-3918-02	SHEET	2								
13AA	4165-3912-01	REGULATING PLATE	1								
14AA	4165-3927-01	SPACER	4								
15AA	4165-3916-01	SHEET	2								
16AA	4165-3901-05	COVER	1		LTR						
16BA	4165-3930-05	COVER	1		A4						
16CA	4165-3902-05	COVER	1		LGL						
16DA	4165-3932-04	COVER	1		EXE						
16EA	4165-3931-16	COVER	1		B5						
17AA	4165-3905-01	GUIDE	1								
18AA	4165-3913-02	SEPARATOR	1								
19AA	4165-3907-02	COVER	1		LTR						
19BA	4165-3922-02	COVER	1		LGL						
20AA	4166-3910-01	SPACER	1								





INDEX	PART NO.	PART NAME	QTY	AREA	REMARKS	INDEX	PART NO.	PART NAME	QTY	AREA	REMARKS
01AA	4157-3609-02	STOPPER	1			43AA	4168-6801-02	HARNES	1		
02AA	4168-3506-01	LEAF SPRING	1			44AA	4168-3542-01	PLATE	1		
03AA	4168-3511-01	ROLLER DRIVE	2			45AA	4168-6805-02	HARNES	1		
04AA	4157-3612-01	SPRING	4			46AA	4168-3540-01	GROUND PLATE	1		
05AA	4157-3614-01	ROLL	4			47AA	4157-3608-01	SHOULDER SCREW	2		
06AA	4168-3508-02	LEAF SPRING	1			48AA	4168-3501-01	BASE FRAME	1		
07AA	4168-3505-02	RELEASE LEVER	1			49AA	4109-5530-01	STOPPER	1		
08AA	4168-3502-03	COVER-A	1			50AA	9335-1410-31	PHOTO INTERRUPTER (SW-DUP/PSR)	1		
09AA	4168-3504-02	COVER DRIVE	1			51AA	4168-6803-01	HARNES	1		
10AA	4157-6101-01	MOTOR (M41/M42)	2			52AA	4168-3532-01	TORSION SPRING	1		
11AA	4168-0201-01	RADIATE PLATE	1			53AA	4168-3531-01	ACTUATOR	1		
12AA	4157-3628-02	TENSION SPRING	1			54AA	4168-3534-01	MOUNTING PLATE	1		
13AA	4168-0202-01	CRUTCH GEAR ASSY	1								
14AA	4168-3557-01	GEAR 18/40T	1								
15AA	4168-3535-01	DRIVE SIDE PLATE-A	1								
16AA	9321-2711-12	SOLENOID (SL41)	1								
17AA	4168-3536-01	DRIVE SIDE PLATE-B	1								
18AA	4168-3566-01	GEAR 37T	5								
19AA	4168-3565-01	GEAR 22T	2								
20AA	4168-3567-01	GEAR 39T	3								
21AA	4168-3568-01	GEAR 22/41T	1								
22AA	4157-3613-02	BUSHING	4								
23AA	4157-3615-01	SHOULDER SCREW	1								
24AA	4168-3588-01	BOSS	1								
25AA	4168-3586-01	RATCHET WHEEL	1								
26AA	4168-3587-01	KICK SPRING	1								
27AA	4168-3569-01	GEAR 26T	1								
28AA	4168-3585-01	TENSION SPRING	2								
29AA	4168-3503-01	COVER-B	1								
30AA	4168-3593-02	COVER-C	1								
31AA	4168-0101-03	PWB-A ASSY (PWB-A)	1								
32AA	4168-3507-01	BRACKET	1								
33AA	0993-3520-01	BUSHING	2								
34AA	0993-3511-01	BUSHING	2								
35AA	4168-3538-01	GROUND PLATE	1								
36AA	4168-3518-01	NEUTRALIZING BRUSH	1								
37AA	4168-3582-01	REVISE ROLLER DRIVE	1								
38AA	4168-3581-01	REVISE ROLLER IDLE	1								
39AA	9331-2710-21	DETECT SWITCH (PS1/SW-DUP)	2								
40AA	4168-6802-01	HARNES	1								
41AA	4168-3592-01	GROUND PLATE	1								
42AA	4168-3591-02	COVER-RT	1								









